

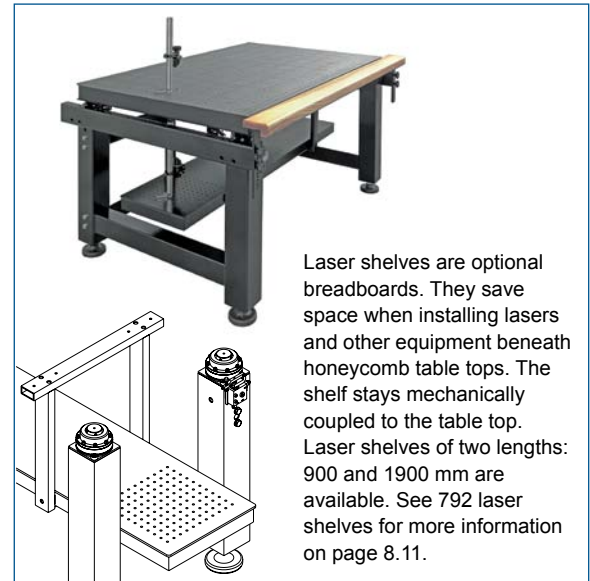
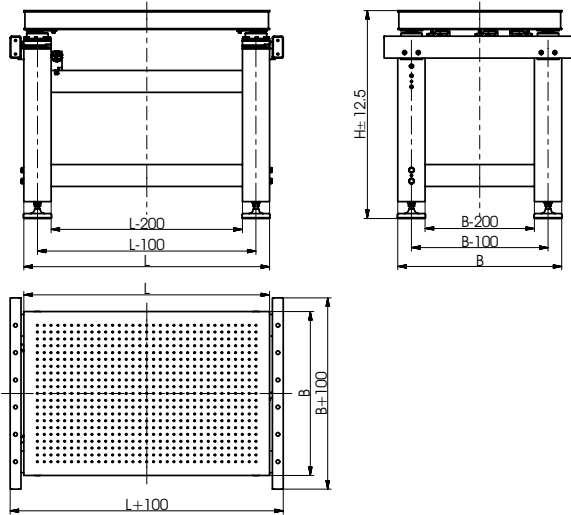
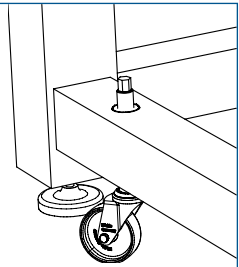
740W

PNEUMATIC VIBRATION ISOLATION WORKSTATION



Pneumatic Vibration Isolation Workstation 740W consists of 740, a Honeycomb Breadboard and a Protection Armrest. As you lean on the Armrest, it protects your body from the impacts. This allows you to work at the table like at a conventional table, using microscope and other equipment. The suggested elevation of table's surface is 770 mm. We produce two standard models of 740W.

740W system can be optionally equipped with Castors, which are made of high-quality nylon, high abrasion resistant, smooth running performance on even floors, shock and impact-resistant, corrosion-resistant.



Laser shelves are optional breadboards. They save space when installing lasers and other equipment beneath honeycomb table tops. The shelf stays mechanically coupled to the table top. Laser shelves of two lengths: 900 and 1900 mm are available. See 792 laser shelves for more information on page 8.11.

| Code | B, mm | L, mm | H, mm |
|-----------|-------|-------|-------|
| 740W-6907 | 600 | 900 | 770 |
| 740W-7509 | 750 | 900 | 770 |
| 740W-7512 | 750 | 1200 | 770 |
| 740W-9147 | 900 | 1400 | 770 |

742

PNEUMATIC VIBRATION ISOLATION SYSTEM



- Vertical resonance frequency: 1.5 Hz (average load)
- Horizontal resonance frequency: 1.7 Hz (average load)
- Air source pressure: up to 600 KPa (6 bar) (87 PSI)

Pneumatic Vibration Isolation System 742 is an ideal foundation for equipment which is sensitive to vibration, e.g. microscopes, scales, interferometers, and similar devices.

Work surface of the table is separated from the floor by means of a highly effective system of pneumatic supports, i.e. pneumatic springs with hydraulic (oil) dampers.

The system features solid and light supports that come in various dimensions to support a wide range of table top sizes. This enables quick creation of vibration isolation systems for a variety of tasks.

Maximum load capacity of each support leg is 1000 kg.

OPTICAL TABLES

BRACKETS & RAILS

BASE MOUNTS & ACCESSORIES

OPTICAL MOUNTS

OPTICAL POSITIONERS

BASE POSITIONERS

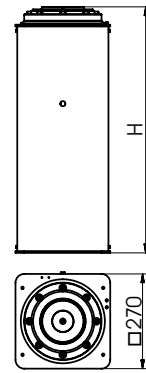
TRANSLATION & ROTATION STAGES

ADJUSTMENT SCREWS

MOTORIZED POSITIONERS

SPECIFICATIONS

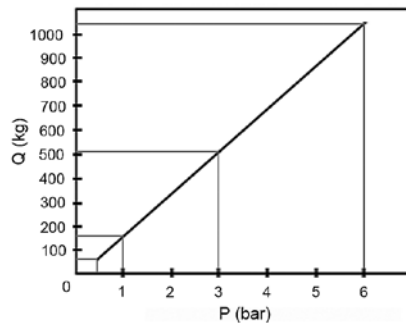
| | |
|--|--------------------------|
| Height of the vibration isolation system | H= 400, 500, 600, 700 mm |
| Vertical movement range | 14 mm |
| Precision of automatic level control | ±0.3 mm |
| Vertical resonance frequency | 1.5 Hz (average load) |
| Vertical isolation at 5 Hz | 85–93% |
| Vertical isolation at 10 Hz | 90–98% |
| Horizontal resonance frequency | 1.7 Hz (average load) |
| Horizontal isolation at 5 Hz | 85–93% |
| Horizontal isolation at 10 Hz | 90–97% |
| Pressure from source of air | 600 KPa (6 bar) (87 PSI) |
| Air supply socket opening | Ø 6 mm |
| Operating humidity (max) | 90% |
| Operating temperature range | 10–50 °C |
| Load-bearing capacity (at 6 bar) | 1060 kg per isolator |



| Code | Height of Isolator, mm | Number of Isolators |
|----------|------------------------|---------------------|
| 742-4004 | 400 | 4 |
| 742-5004 | 500 | 4 |
| 742-6004 | 600 | 4 |
| 742-7004 | 700 | 4 |

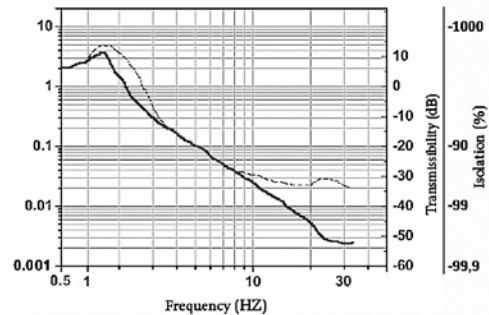
Ordering information: last number of the catalogue number indicates the quantity of isolators.

Working pressure of the system is 0.5–6 atm (bar). Required minimum system pressure required to support a certain load in kg is shown in the load/pressure diagram.



P - required minimal pressure in atm (bar).
Q - load per support leg (kg).

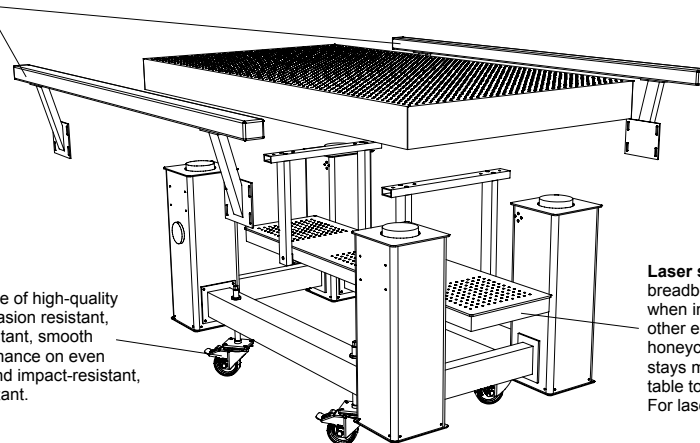
Load/Pressure diagram



Vibration / Isolation performance

We offer optimal Vibration Isolation Systems for the optical table of your choice. Figure shows the correct layout of pneumatic supports for tables with standard dimensions. C=C1=160...200 mm

Armrest guards the honeycomb table from impacts of your body. This allows you to work at the table like at a conventional table, using microscope and other equipment. Optionally you may order workstation with two Armrests on the opposite sides.



Castors – made of high-quality nylon, high abrasion resistant, low rolling resistant, smooth running performance on even floors, shock and impact-resistant, corrosion-resistant.

Laser shelves are optional breadboards. They save space when installing a laser and other equipment beneath the honeycomb table tops. A shelf stays mechanically coupled to the table top. For laser shelves see page 8.11

On request we produce workstations with Honeycomb Table Tops of any dimensions

OPTICAL TABLES
BRACKETS & RAILS
BASE MOUNTS & ACCESSORIES
OPTICAL MOUNTS
OPTICAL POSITIONERS
BASE POSITIONERS
TRANSLATION & ROTATION STAGES
ADJUSTMENT SCREWS
MOTORIZED POSITIONERS